

6 FINAL REFLECTIVE SURFACE CONDITION WITH AVAILABLE ENHANCEMENT COATINGS DEFINED AS FOLLOWS: (ADD DESIGNATED SUFFIX TO P/N)

- RH ELECTRO-DEPOSITED BRIGHT RHODIUM
- AQ VACUUM DEPOSITED ALUMINUM WITH SiO<sub>2</sub> (QUARTZ)
- AF VACUUM DEPOSITED ALUMINUM WITH MgF<sub>2</sub> (MAGNESIUM FLUORIDE)
- DCC DICHROIC COAT COATING - SPECIFY WAVELENGTH REGION
- SP OTHER SPECIAL COATINGS AS SPECIFIED

REVISIONS				
ZONE	REV	DESCRIPTION	DATE	APPROVED
	A	ADDED -2, CHG'D DRAWING NO FROM E213-1 SPECIFIC TO E213 GENERIC		
	B	COVERT DWG OVER TO STD PARTS FORMAT	08-13-99	KMT
	C	CORRECTED GEOMETRY DATA	04-20-00	GFW /
	D	ADDED -3	12-08-00	MSP
	E	ADDED -4, CORRECTED F# FOR -3 (WAS 1.34)	11-27-01	GFW /
	F	-3 NO LONGER AVAILABLE	04-20-05	KMT

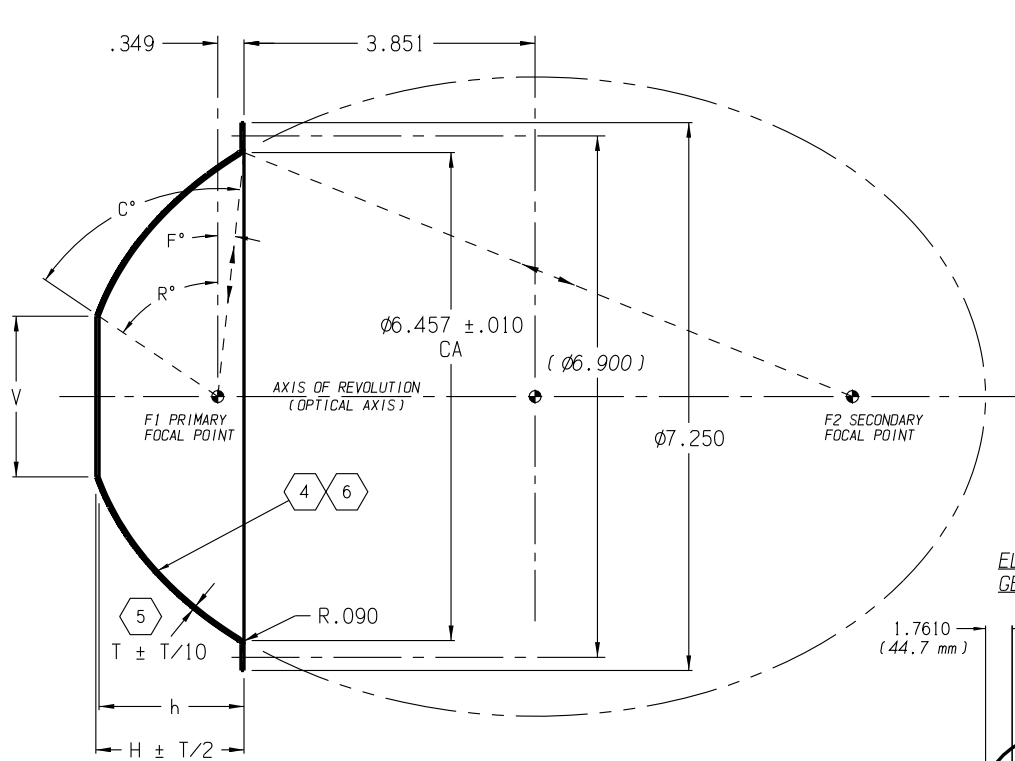
NOTES: (UNLESS OTHERWISE SPECIFIED)

1. SPECIFICATION CONTROL DRAWING.
2. DEBURR SHARP EDGES .015 MAX WHERE APPLICABLE.
3. FOR SPECIFIC CUSTOMER FEATURES, REFER TO DRAWINGS E213-X-XX.

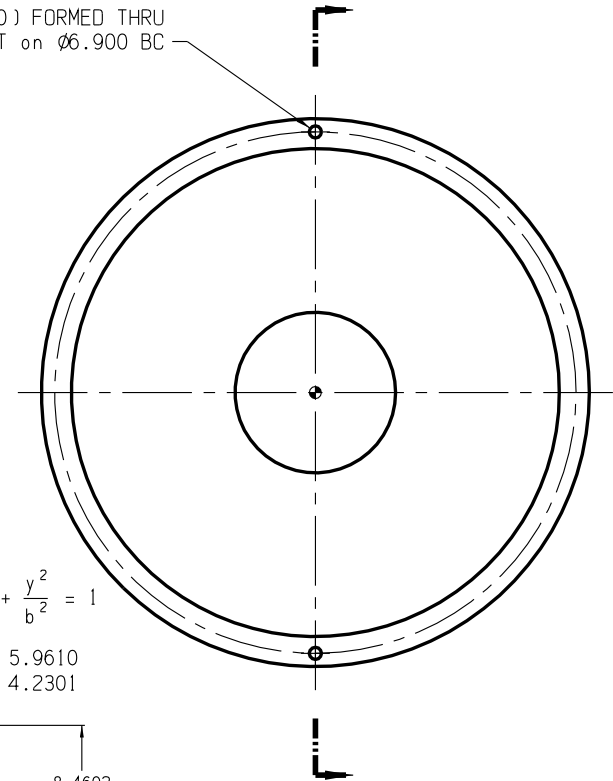
4 REFLECTOR TO BE REPLICATED FROM SPECIFIED MASTER TOOL EXHIBITING REQUIRED ELLIPTICAL GEOMETRY AND SPECULAR SURFACE FINISH OF 80-50 SCRATCH-DIG PER MIL-O-13830A.

7 E213-3 AND -4 ARE NON-FLANGED REFLECTORS. SEE NOTE 3.

5 NOMINAL THICKNESS T MAY VARY ± T/4 WITHIN .25 OF EDGES.



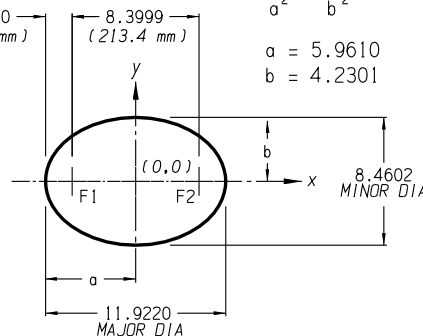
Ø.161 (#20) FORMED THRU 180° APART on Ø6.900 BC 2X



ELLIPSOID GEOMETRY DATA

$$\frac{x^2}{a^2} + \frac{y^2}{b^2} = 1$$

a = 5.9610  
b = 4.2301



7	-4	Ø.750	.040	1.448	1.408	77.82°	---	70.99°	1.66
---	----	-------	------	-------	-------	--------	-----	--------	------

	-2	Ø1.250	.040	2.085	2.044	69.77°	6.16°	75.93°	1.34
	-1	Ø2.125	.040	1.961	1.918	55.91°	6.16°	62.07°	1.34
DASH NO.		V	T	H	h	R°	F°	C°	f#

SPEC CONTROL DWG

APPROVALS	DATE
CHECKED	
ENGR	
DESIGN ACTIVITY	

QTY REQD	CAGE CODE	PART OR IDENTIFYING NO	NAMEPLATE OR DESCRIPTION	MATERIAL SPECIFICATION	ITEM NO
			99-E213		
PARTS LIST					
UNLESS OTHERWISE SPECIFIED DIMENSIONS ARE IN INCHES TOLERANCES ARE:			CONTRACT NO		
FRACTIONS ± 1/10			63		
DECIMALS ± .001			APPROVALS		
ANGLES ± 1/2°			DATE		
MATERIAL			DRAWN		
ELECTROFORMED NICKEL-LSSN OFI TYPE I			KMT		
FINISH			ENGR		
NOTES 3,5			DATE		
NEXT ASSY			USED ON		
APPLICATION			SCALE		
DO NOT SCALE DRAWING			DESIGN ACTIVITY		
SIZE		CAGE CODE	DWG NO	REV	
C		OY1Y4	E213	F	
SCALE		E213-R.PRT		SHEET 1 OF 1	



REFLECTOR, ELLIPTICAL  
8.40" / 213mm (F1-F2)