

REVISIONS

ZONE	REV	DESCRIPTION	DATE	APPROVED
	A	REVISED DIM TOL	02-05-98	KEN S
	B	REVISED TOLERANCES	06-30-98	KEN S
	C	ADDED FLANGE TO -1,-3	06-26-00	GFW /
	D	ADDED -5	04-14-03	GFW /

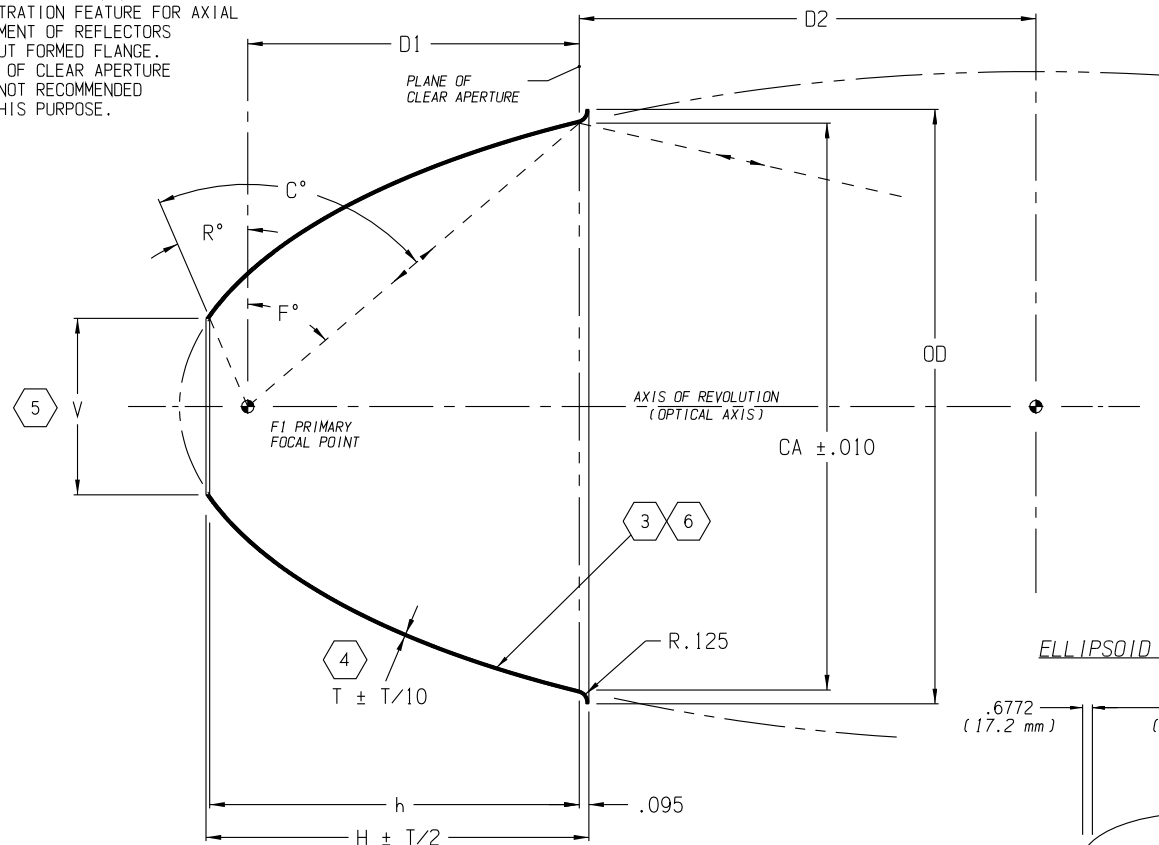
7 FINAL REFLECTIVE SURFACE CONDITION WITH AVAILABLE REFLECTIVITY ENHANCEMENT COATINGS DEFINED AS FOLLOWS: (ADD DESIGNATED SUFFIX TO P/N)

- RH ELECTRO-DEPOSITED BRIGHT RHODIUM
- AQ VACUUM DEPOSITED ALUMINUM WITH SiO<sub>2</sub> (QUARTZ)
- AF VACUUM DEPOSITED ALUMINUM WITH MgF<sub>2</sub> (MAGNESIUM FLUORIDE)
- DCC DICHOIC COLD COATING - SPECIFY WAVELENGTH REGION
- SP OTHER SPECIAL COATINGS AS SPECIFIED

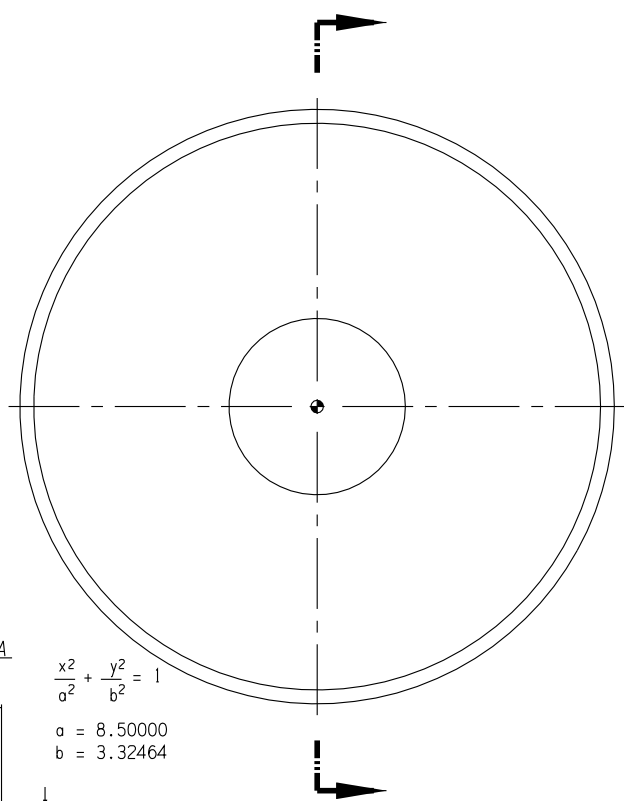
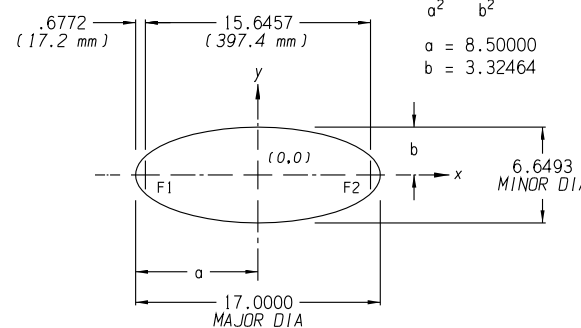
7 -2 REFLECTOR WITHOUT FORMED FLANGED.

NOTES: (UNLESS OTHERWISE SPECIFIED)

1. SPECIFICATION CONTROL DRAWING.
2. DEBURR SHARP EDGES .015 MAX WHERE APPLICABLE.
- 3 REFLECTOR TO BE REPLICATED FROM SPECIFIED MASTER TOOL EXHIBITING REQUIRED ELLIPTICAL GEOMETRY AND SPECULAR SURFACE FINISH OF 80-50 SCRATCH-DIG PER MIL-O-13830A.
- 4 NOMINAL THICKNESS T MAY VARY ± T/4 WITHIN .25 OF EDGES.
- 5 VERTEX HOLE OPENING IS PREFERRED REGISTRATION FEATURE FOR AXIAL ALIGNMENT OF REFLECTORS WITHOUT FORMED FLANGE. PLANE OF CLEAR APERTURE (CA) NOT RECOMMENDED FOR THIS PURPOSE.



ELLIPSOID GEOMETRY DATA



-5	Ø5.625	Ø3.198	Ø5.900	.030	3.290	4.533	3.066	2.920	---	49.48°	36.43°	2.25
-4	Ø5.625	Ø2.813	Ø5.900	.030	3.290	4.533	3.311	3.169	---	49.48°	44.56°	2.25
-3	Ø5.625	Ø1.250	Ø5.900	.030	3.290	4.533	3.944	3.816	40.06°	49.48°	89.54°	2.25
-2	Ø4.850	Ø1.250	Ø4.914	.030	2.008	5.815	2.567	2.534	40.06°	39.63°	79.69°	2.86
-1	Ø5.625	Ø1.750	Ø5.900	.030	3.290	4.533	3.799	3.668	23.33°	49.48°	72.81°	2.25
DASH NO.	CA	V	OD	T	D1	D2	H	h	R°	F°	C°	f#

SPEC CONTROL DWG

NEXT ASSY	USED ON
APPLICATION	DO NOT SCALE DRAWING

QTY REQD	CAGE CODE	PART OR IDENTIFYING NO	NOMENCLATURE OR DESCRIPTION	MATERIAL SPECIFICATION	ITEM NO
PARTS LIST					
UNLESS OTHERWISE SPECIFIED DIMENSIONS ARE IN INCHES TOLERANCES ARE: FRACTIONS ± 1/16 DECIMALS .001 ± .0005 ANGLES ± 1/2°			CONTRACT NO. 96-E397 APPROVALS: GFW DATE: 11-18-96 DRAWN: GFW CHECKED: [ ] ENGR: [ ] DESIGN ACTIVITY: [ ]		
MATERIAL: ELECTROFORMED NICKEL LSSN DF1 TYPE 1 FINISH: NOTES 3.6					
REFLECTOR, ELLIPTICAL 15.65"/397mm (F1-F2)			SIZE: C CAGE CODE: OY1Y4 DWG NO: E397 REV D		
SCALE: 1/1			E397-R.PRT SHEET 1 OF 1		

7