

REVISIONS			
REV	DESCRIPTION	DATE	APPROVED
Ø	INITIAL DRAWING RELEASE	08-21-07	SJM

NOTES: (UNLESS OTHERWISE SPECIFIED)

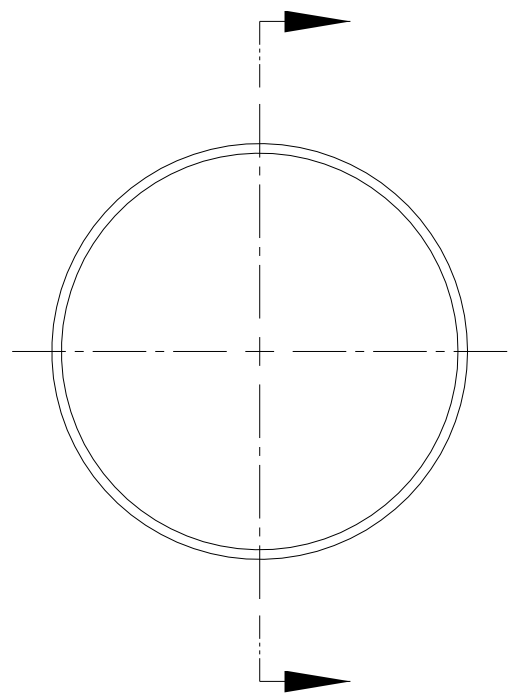
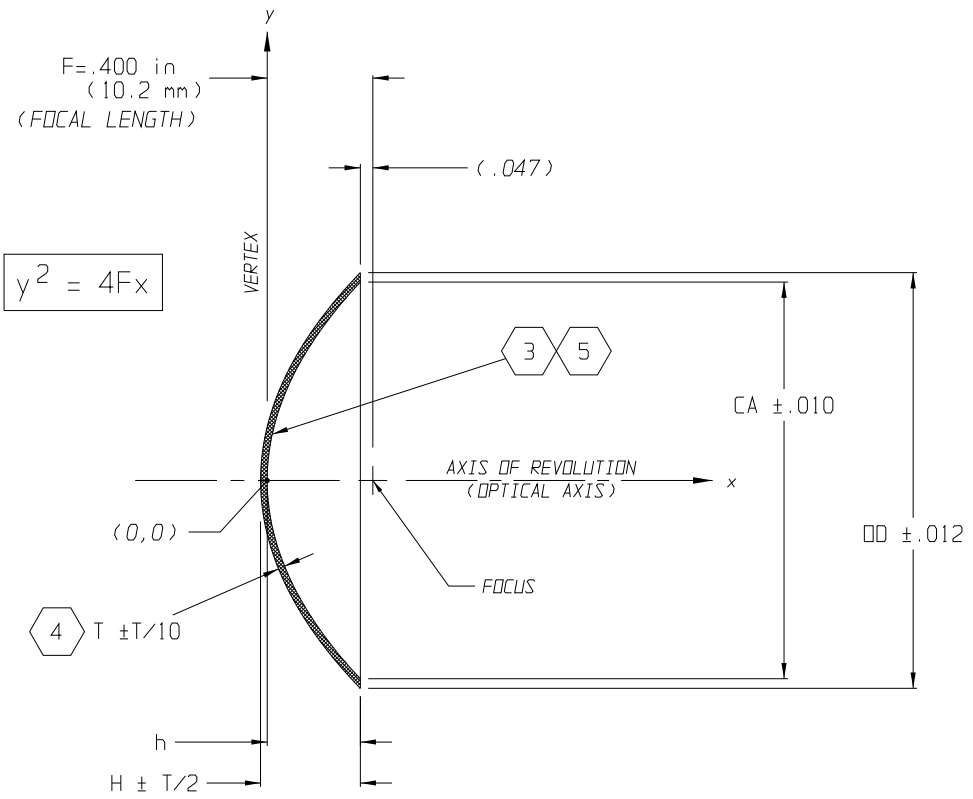
1. BREAK ALL SHARP EDGES AND HOLE RIMS.
2. CHAMFER ALL THREADS .01 PAST ROOT DIAMETER.

3 REFLECTOR TO BE REPLICATED FROM SPECIFIED MASTER TOOL EXHIBITING REQUIRED PARABOLIC GEOMETRY AND SPECULAR SURFACE FINISH OF 80-50 SCRATCH-DIG PER MIL-D-13830A.

4 NOMINAL THICKNESS MAY VARY $\pm T/4$ WITHIN .25 OF EDGES.

5 FINAL REFLECTIVE SURFACE CONDITION WITH AVAILABLE REFLECTIVITY ENHANCEMENT COATINGS DEFINED AS FOLLOWS: (ADD DESIGNATED SUFFIX TO P/N)

- RH ELECTRO-DEPOSITED BRIGHT RHODIUM
- AQ VACUUM DEPOSITED ALUMINUM WITH SiO₂ (QUARTZ)
- AF VACUUM DEPOSITED ALUMINUM WITH MgF₂ (MAGNESIUM FLUORIDE)
- DC DICHROIC COATING - SPECIFY WAVELENGTH REGION
- SP OTHER SPECIAL COATINGS AS SPECIFIED



-2	Ø5.004	Ø5.500	.025	4.025	4.000	-	-	-
-1	Ø1.502	Ø1.575	.025	.378	.353	-	-	-
DASH NO.	CA	OD	T	H	h	R°	F°	C°

SPEC CONTROL DWG

NEXT ASSY	USED ON
APPLICATION	DO NOT SCALE DRAWING

ITEM NO	QTY REQD	PART NUMBER	DESCRIPTION
PARTS LIST			
UNLESS OTHERWISE SPECIFIED DIMENSIONS ARE IN INCHES TOLERANCES ARE:		63/√	CONTRACT NO 07-P10
FRACTIONS ± 1/16	DECIMALS .XX ± .00	ANGLES ± 1/2°	APPROVALS
MATERIAL ELECTROFORMED NICKEL-LSSN ØP1 TYPE I			DATE 08-21-07
FINISH NOTES 3.5			CHECKED SJM
ENGR			ENGR
SIZE C	CAGE CODE 0Y1Y4	DWG NO P10NV	REV Ø
SCALE NONE	P10NV-R.prt	SHEET	DESIGN ACTIVITY



REFLECTOR, PARABOLIC
.400"/10mm FL