

THE DESIGN CONCEPTS AND INFORMATION CONTAINED HEREIN ARE PROPRIETARY TO OPTI-FORMS, INC. AND MAY NOT BE CONVEYED TO THIRD PARTIES WITHOUT EXPRESS WRITTEN CONSENT.

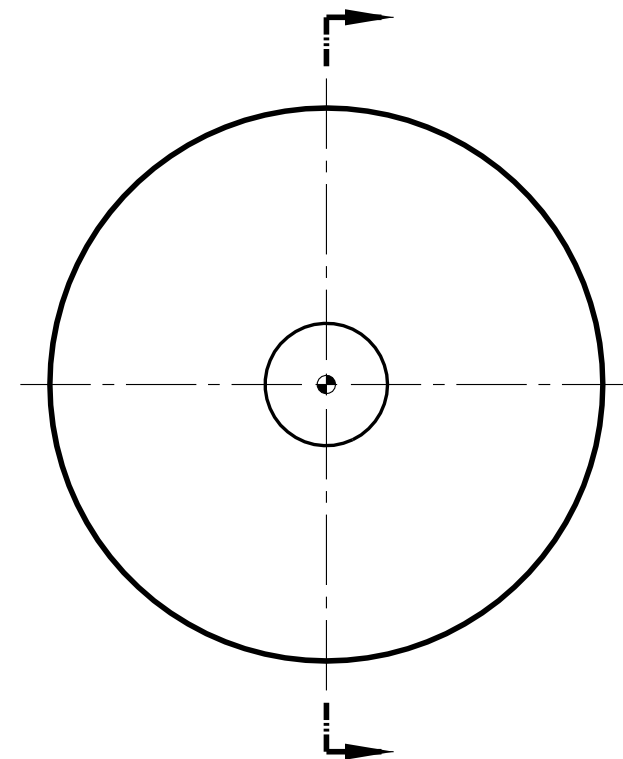
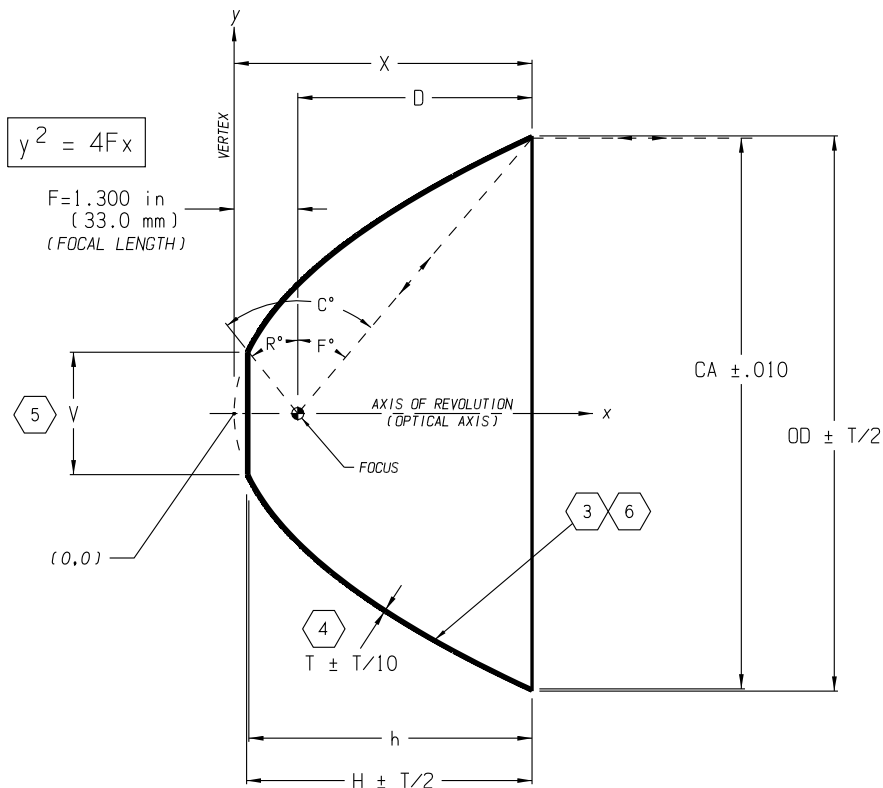
NOTES: (UNLESS OTHERWISE SPECIFIED)

- SPECIFICATION CONTROL DRAWING.
- DEBURR SHARP EDGES .015 MAX.

- REFLECTOR TO BE REPLICATED FROM SPECIFIED MASTER TOOL EXHIBITING REQUIRED PARABOLIC GEOMETRY AND SPECULAR SURFACE FINISH OF 80-50 SCRATCH-DIG PER MIL-O-13830A.
- NOMINAL THICKNESS T MAY VARY  $\pm T/4$  WITHIN .25 OF EDGES.

- VERTEX HOLE OPENING IS PREFERRED REGISTRATION FEATURE FOR AXIAL ALIGNMENT OF REFLECTOR. PLANE OF CLEAR APERTURE NOT RECOMMENDED FOR THIS PURPOSE.
- FINAL REFLECTIVE SURFACE CONDITION WITH AVAILABLE REFLECTIVITY ENHANCEMENT COATINGS DEFINED AS FOLLOWS: (ADD DESIGNATED SUFFIX TO P/N)
  - RH ELECTRO-DEPOSITED BRIGHT RHODIUM
  - AQ VACUUM DEPOSITED ALUMINUM WITH SiO<sub>2</sub> (QUARTZ)
  - AF VACUUM DEPOSITED ALUMINUM WITH MgF<sub>2</sub> (MAGNESIUM FLUORIDE)
  - DCC DICHROIC COLD COATING - SPECIFY WAVELENGTH REGION
  - SP OTHER SPECIAL COATINGS AS SPECIFIED

REVISIONS			
REV	DESCRIPTION	DATE	APPROVED
A	ADDED -03	10-14-97	KMT /
B	REV DIM TOLERANCES	02-10-98	KMT /
C	REV DIM TOLERANCES	07-31-98	DFW /
D	ADDED -04	09-18-02	MSP /
E	ADDED -05 AND -06	09-29-03	DFW /
F	ADDED -07	08-08-07	SJM /
G	Ø2.000 VERTEX WAS Ø2.010, 3.993 WAS 3.991, 4.036 WAS 4.034, 79.66° WAS 79.46°, 47.92° WAS 47.73°	11-20-07	SJM /
H	ADDED -08	04-26-10	SJM /
J	ADDED -09	09-27-11	RRS /



-09	Ø9.330	Ø3.150	Ø9.422	.040	4.185	2.885	3.755	3.708	27.59°	31.73°	59.32°
-08	Ø9.449	Ø3.937	Ø9.540	.040	4.292	2.992	3.597	3.547	15.74°	32.35°	48.09°
-07	Ø10.250	Ø1.250	Ø10.340	.040	5.051	3.751	5.017	4.976	62.97°	36.20°	99.17°
-06	Ø11.250	Ø3.000	Ø11.338	.040	6.085	4.785	5.698	5.652	30.04°	40.39°	70.42°
-05	Ø9.000	Ø1.625	Ø9.092	.040	3.894	2.594	3.809	3.767	55.29°	29.96°	85.25°
-04	Ø9.330	Ø2.000	Ø9.422	.040	4.185	2.885	4.036	3.993	47.92°	31.73°	79.66°
-03	Ø9.500	Ø1.750	Ø9.591	.040	4.339	3.039	4.234	4.192	52.80°	32.61°	85.41°
-02	Ø9.850	Ø3.000	Ø9.940	.040	4.665	3.365	4.278	4.232	30.04°	34.34°	64.38°
-01	Ø11.250	Ø2.500	Ø11.338	.040	6.085	4.785	5.829	5.784	38.65°	40.38°	79.03°
DASH NO.	CA	V	OD	T	X	D	H	h	R°	F°	C°

(G)

SPEC CONTROL DWG

QTY REQD	CAGE CODE	PART OR IDENTIFYING NO	NOMENCLATURE OR DESCRIPTION	MATERIAL SPECIFICATION	ITEM NO
			REFLECTOR, PARABOLIC		
			1.300"/33mm FL		
			<b>P33</b>		
			SCALE NONE	P33-R.pr1	SHEET