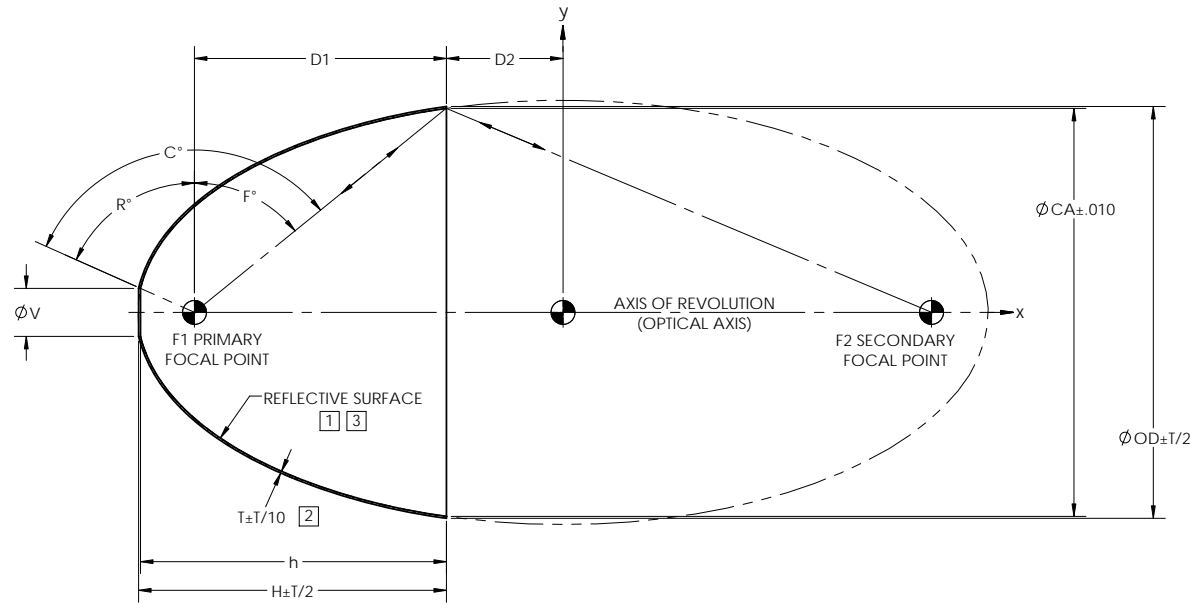


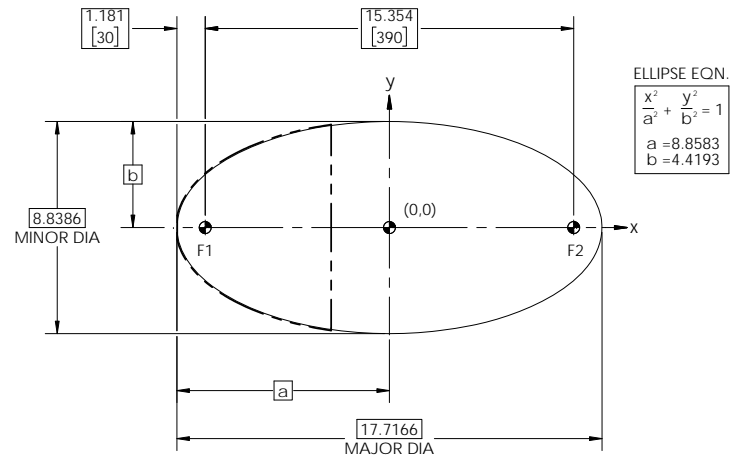
NOTES: UNLESS OTHERWISE SPECIFIED

- 1 ELECTROFORM REFLECTOR FROM MASTER TOOL WITH SPECULAR SURFACE QUALITY OF 80-50 SCRATCH-DIG PER MIL-PRF-13830B.
- 2 NOMINAL THICKNESS (T) MAY VARY ± T/4 WITHIN .25 OF EDGES.
- 3 REFLECTIVE SURFACE COATING TO BE SEPARATELY SPECIFIED.

REVISIONS			
REV	DESCRIPTION	DATE	APPROVED
Ø	INITIAL DRAWING RELEASE	12/19/95	GFW
A	REVISED DIM TOL. T WAS .030	08/18/17	KMT
B	REVISED TOLERANCES	08/18/17	KEN S
C	ADDED -10	08/18/17	KMT
D	CORRECTED GEOMETRY DATA	08/18/17	GFW
E	ADDED -11	08/18/17	GFW
F	UPDATED DRAWING FORMAT	08/18/17	RRS



ELLIPTICAL GEOMETRY DATA



DASH NO.	CA	V	OD	T	D1	D2	H	h	R°	F°	C°	f#
E390	8.500	1.000	8.581	0.040	5.249	2.428	6.414	6.373	66.02	51.00	117.03	1.29
E390-0100	8.000	1.750	8.082	0.040	3.911	3.766	4.960	4.917	48.98	44.36	93.33	1.52
E390-0200	8.000	2.000	8.082	0.040	3.911	3.766	4.906	4.862	43.57	44.36	87.93	1.52
E390-0300	8.000	1.000	8.082	0.040	3.911	3.766	5.076	5.035	66.02	44.36	110.38	1.52
E390-0400	8.000	2.250	8.082	0.040	3.911	3.766	4.845	4.800	38.33	44.36	82.68	1.52
E390-0500	6.750	1.750	6.837	0.040	1.958	5.719	3.007	2.964	48.98	30.13	79.10	2.05
E390-0600	7.347	1.750	7.431	0.040	2.753	4.924	3.802	3.758	48.98	36.85	85.82	1.79
E390-0700	6.000	1.000	6.091	0.040	1.173	6.505	2.338	2.297	66.02	21.35	87.37	2.42
E390-0800	7.347	2.205	7.431	0.040	2.753	4.924	3.699	3.654	39.26	36.85	76.10	1.79
E390-0900	7.325	1.250	7.409	0.040	2.720	4.957	3.854	3.812	60.22	36.60	96.82	1.80
E390-1000	8.500	1.750	8.581	0.040	5.249	2.428	6.298	6.255	48.98	51.00	99.98	1.29
E390-1100	5.000	1.250	5.099	0.040	0.373	7.305	1.506	1.465	60.22	8.48	68.69	3.04

NOTE: THE "E390" DASH NO. IS THE THEORETICALLY LARGEST REFLECTOR THAT CAN BE FORMED ON EXISTING MASTER TOOLING.

UNLESS OTHERWISE SPECIFIED DIMENSIONS ARE IN INCHES [mm] GD&T PER ASME Y14.5-2009 DO NOT SCALE DRAWING		CONTRACT NO. 00-E390		42310 WINCHESTER RD. TEMECULA, CA 92590 WWW.OPTIFORMS.COM
FRACTIONS ± 1/16 DECIMALS ± .02 ANGLES ± 1/2° TOLERANCES SURFACE ROUGHNESS ✓ DEBURR SHARP EDGES & HOLES (RMS) .015 MAX. CHAMFER THREADS .01 PAST ROOT DIAMETER		DRAWN JIW DATE 08/18/17	CHECKED DATE	
NEXT ASSY USED ON		ENGR RRS DATE 08/18/17	MATERIAL	REFLECTOR, ELLIPTICAL 15.35"/390mm (F1-F2)
APPLICATION		FINISH	ELECTROFORMED NICKEL - LSSN TYPE 1	
THIRD ANGLE PROJECTION		SCALE 1:2	WT (REF)	CAGE CODE 0Y1Y4
		SEE NOTE 3	CAD NO. E390	DWG. NO. E390
				REV F
				SHEET 1 OF 1