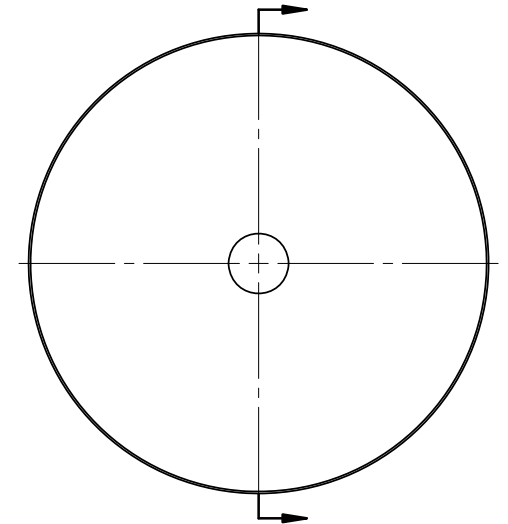
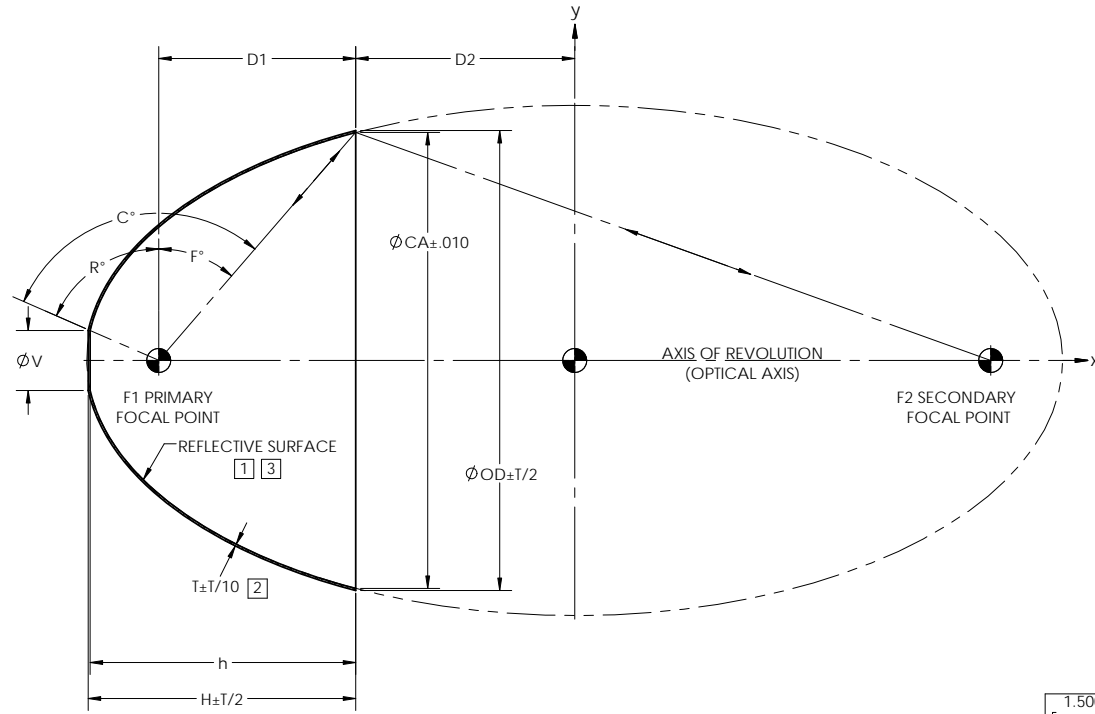


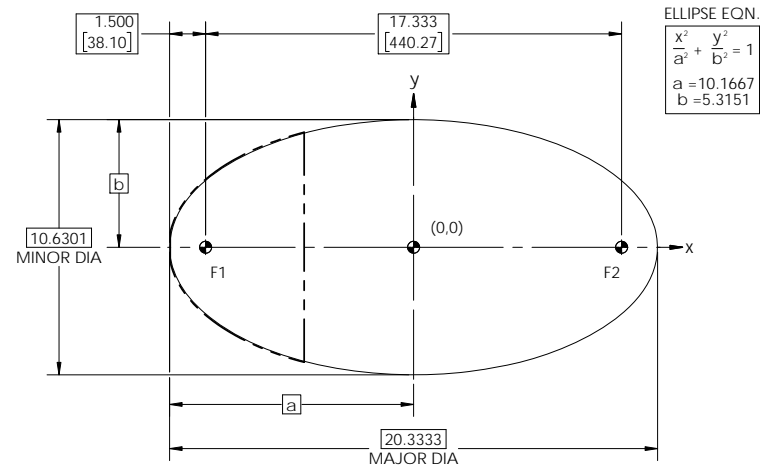
NOTES: UNLESS OTHERWISE SPECIFIED

- 1 ELECTROFORM REFLECTOR FROM MASTER TOOL WITH SPECULAR SURFACE QUALITY OF 80-50 SCRATCH-DIG PER MIL-PRF-13830B.
- 2 NOMINAL THICKNESS (T) MAY VARY ± T/4 WITHIN .25 OF EDGES.
- 3 REFLECTIVE SURFACE COATING TO BE SEPARATELY SPECIFIED.

REVISIONS			
REV	DESCRIPTION	DATE	APPROVED
Ø	INITIAL DRAWING RELEASE	12/19/95	GFW
A	REVISED DIM TOL	02/05/98	KEN S
B	REVISED TOLERANCES	06/30/98	KEN S
C	ADDED -03	06/30/98	GFW
D	UPDATED DRAWING FORMAT	08/21/17	RRS



ELLIPTICAL GEOMETRY DATA



DASH NO.	CA	V	OD	T	D1	D2	H	h	R°	F°	C°	f#
E440	9.500	1.250	9.583	0.040	4.105	4.562	5.575	5.534	66.38	40.83	107.22	1.48
E440-0100	9.500	2.000	9.583	0.040	4.105	4.562	5.466	5.423	52.82	40.83	93.65	1.48
E440-0200	9.500	1.250	9.583	0.040	4.105	4.562	5.575	5.534	66.38	40.83	107.22	1.48
E440-0300	9.500	4.818	9.583	0.040	4.105	4.562	4.556	4.501	9.33	40.83	50.16	1.48

NOTE: THE "E440" DASH NO. IS THE THEORETICALLY LARGEST REFLECTOR THAT CAN BE FORMED ON EXISTING MASTER TOOLING.

UNLESS OTHERWISE SPECIFIED DIMENSIONS ARE IN INCHES [mm] GD&T PER ASME Y14.5-2009 DO NOT SCALE DRAWING		CONTRACT NO. 05-E440	42310 WINCHESTER RD. TEMECULA, CA 92590 WWW.OPTIFORMS.COM
FRACTIONS ± 1/16	DECIMALS .XXX ± .005	ANGLES ± 1/2°	
DEBURR SHARP EDGES & HOLES (R0.015 MAX) CHAMFER THREADS Ø1 PAST ROOT DIAMETER	THIRD ANGLE PROJECTION	SCALE: 1:2	REFLECTOR, ELLIPTICAL 17.33"/440mm (F1-F2)
NEXT ASSY	USED ON	SIZE: C	CAGE CODE: 0Y1Y4 DWG. NO.: E440 REV: D
APPLICATION		SCALE: 1:2	SHEET: 1 OF 1