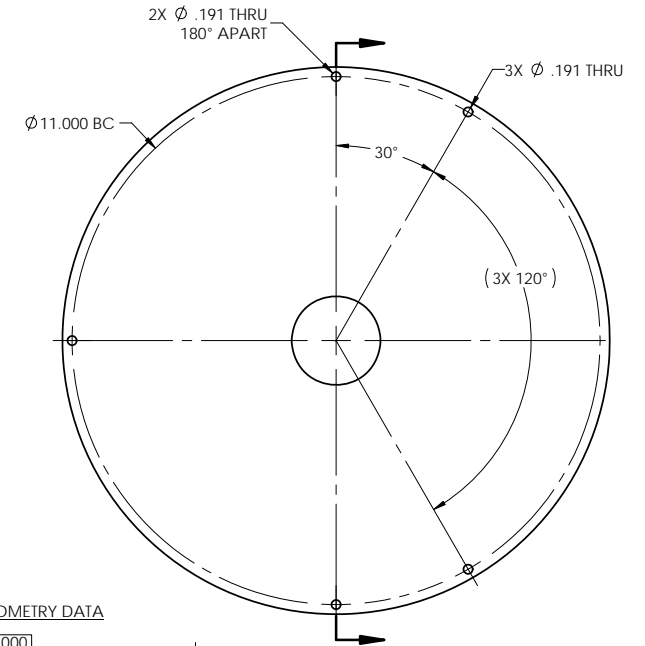
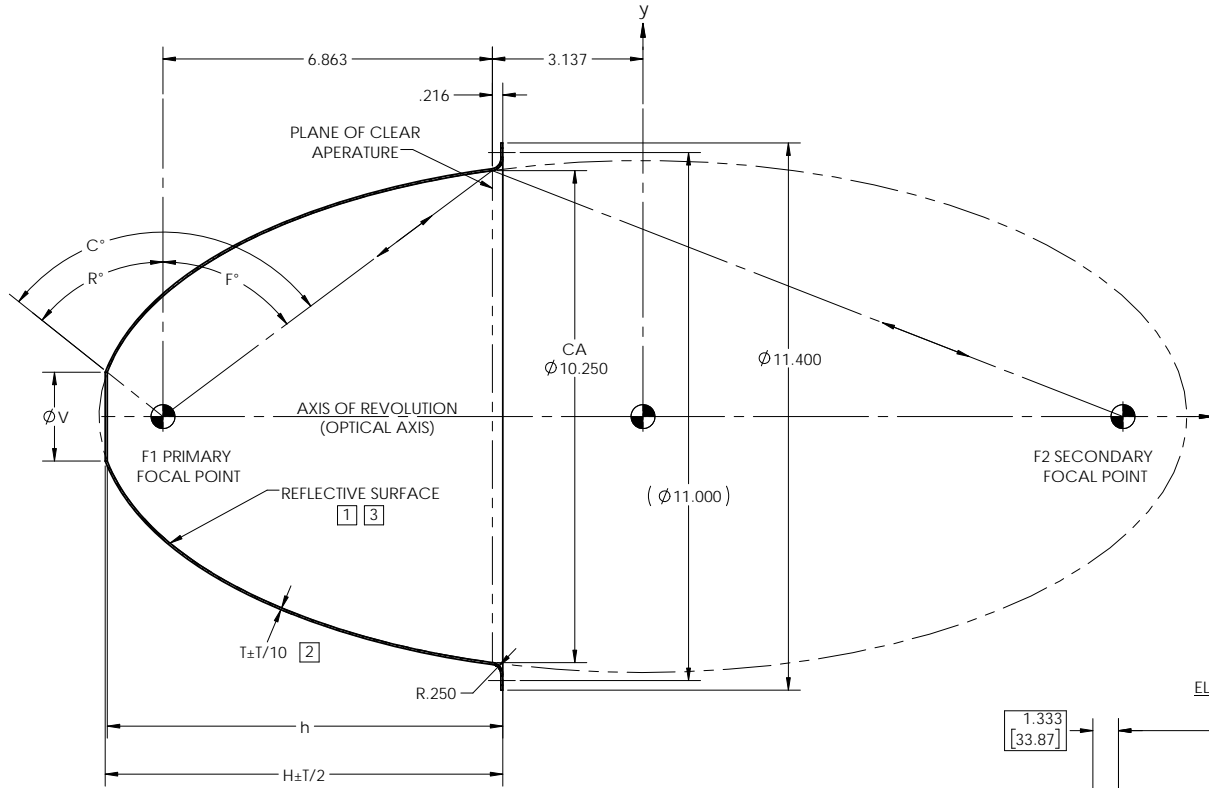


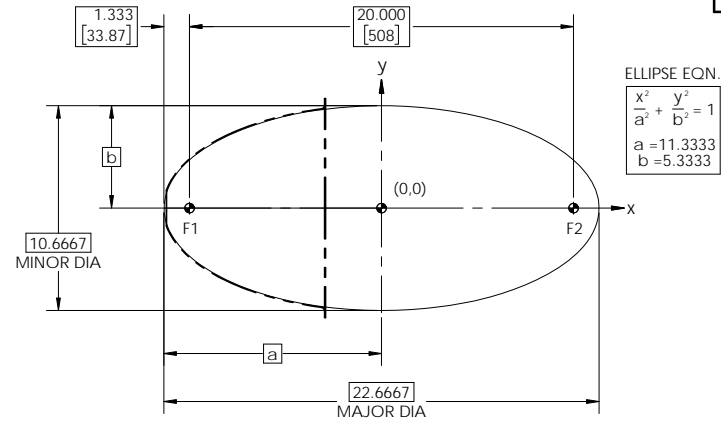
NOTES: UNLESS OTHERWISE SPECIFIED

- 1 ELECTROFORM REFLECTOR FROM MASTER TOOL WITH SPECULAR SURFACE QUALITY OF 80-50 SCRATCH-DIG PER MIL-PRF-13830B.
- 2 NOMINAL THICKNESS (T) MAY VARY ± T/4 WITHIN .25 OF EDGES.
- 3 REFLECTIVE SURFACE COATING TO BE SEPARATELY SPECIFIED.

REVISIONS			
REV	DESCRIPTION	DATE	APPROVED
Ø	INITIAL DRAWING RELEASE	05/31/96	GFW
A	REVISED DIM TOLERANCES	02/11/98	KMT
B	REVISED TOLERANCES	06/30/98	KEN S
C	CORRECTED GEOMETRY DATA	03/24/00	GFW
D	ADDED -.4, PREVIOUSLY -.10	07/06/00	MSP
E	DIMENSION "h" EXTENDED TO FLANGE BASE	07/06/00	MSP
F	ADDED -.5	10/30/00	MSP
G	UPDATED DRAWING FORMAT	08/22/17	RRS



ELLIPTICAL GEOMETRY DATA



DASH NO.	V	T	H	h	R°	F°	C°	f#
E508F	1.850	0.040	8.284	8.241	51.47	53.25	104.72	1.38
E508F-0100	2.250	0.040	8.202	8.158	43.79	53.25	97.04	1.38
E508F-0200	2.500	0.040	8.142	8.097	39.15	53.25	92.40	1.38
E508F-0300	1.850	0.040	8.284	8.241	51.47	53.25	104.72	1.38
E508F-0400	2.750	0.040	8.075	8.030	34.65	53.25	87.90	1.38
E508F-0500	2.800	0.040	8.061	8.015	33.76	53.25	87.01	1.38

NOTE: THE "E508F" DASH NO. IS THE THEORETICALLY LARGEST REFLECTOR THAT CAN BE FORMED FROM EXISTING MASTER TOOLING.

UNLESS OTHERWISE SPECIFIED DIMENSIONS ARE IN INCHES [mm] GD&T PER ASME Y14.5-2009 DO NOT SCALE DRAWING		CONTRACT NO. 00-E508F	42310 WINCHESTER RD. TEMECULA, CA 92590 WWW.OPTIFORMS.COM	
DRAWN JIW	DATE 08/22/17	CHECKED DATE	REFLECTOR, ELLIPTICAL 20.00"/508mm (F1-F2)	
ENGR RRS	DATE 08/22/17	MATERIAL ELECTROFORMED NICKEL - LSSN TYPE 1		
FINISH	SEE NOTE 3	SCALE 1:2	SIZE C	CAGE CODE OY1Y4
WT (REF)	CAD NO. E508F	DWG. NO. E508F	REV G	SHEET 1 OF 1