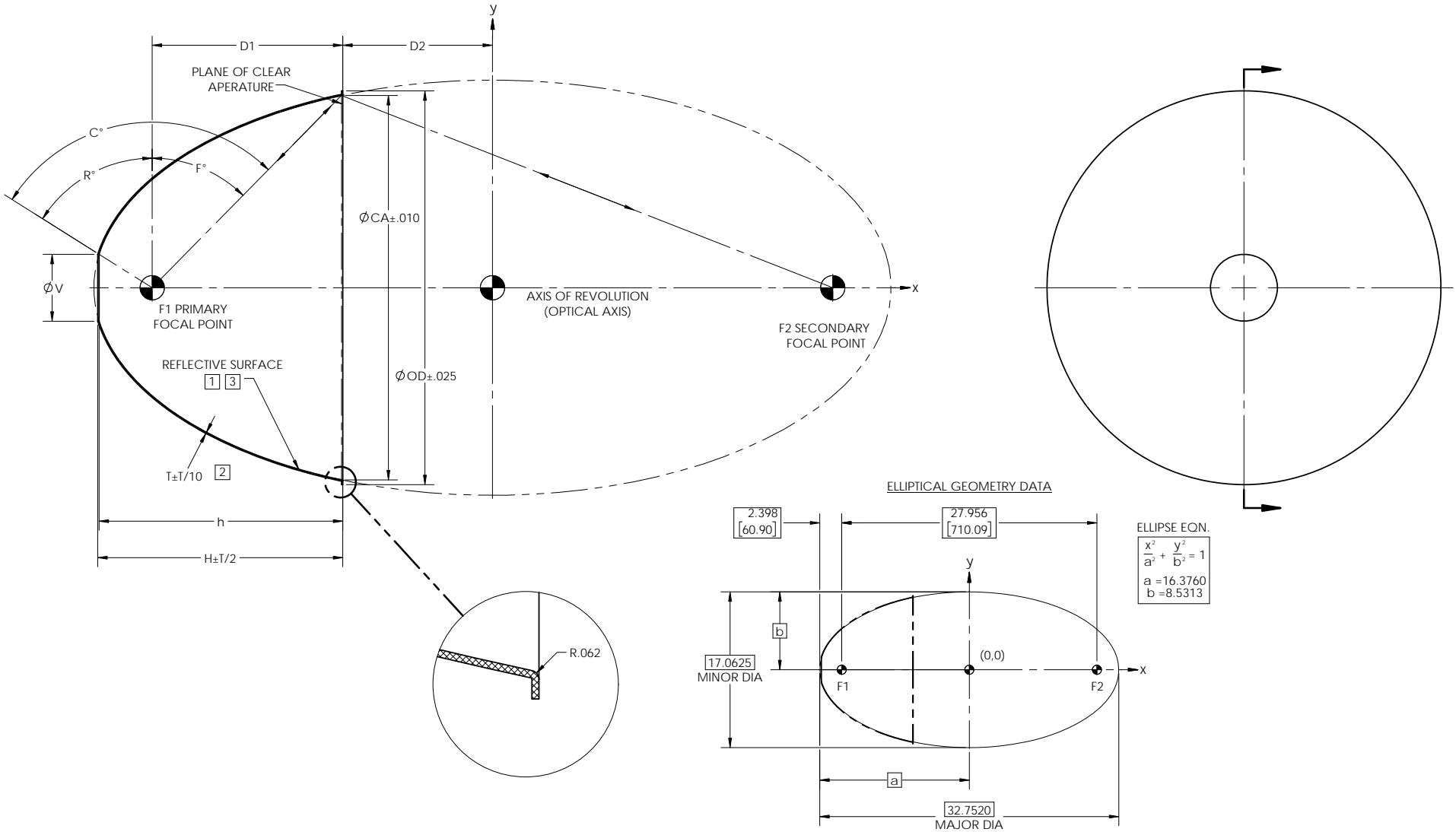


NOTES: UNLESS OTHERWISE SPECIFIED

- 1 ELECTROFORM REFLECTOR FROM MASTER TOOL WITH SPECULAR SURFACE QUALITY OF 80-50 SCRATCH-DIG PER MIL-PRF-13830B.
- 2 NOMINAL THICKNESS (T) MAY VARY ± T/4 WITHIN .25 OF EDGES.
- 3 REFLECTIVE SURFACE COATING TO BE SEPARATELY SPECIFIED.

REVISIONS			
REV	DESCRIPTION	DATE	APPROVED
Ø	INITIAL DRAWING RELEASE	10/25/96	GFW
A	ADDED -3	08/26/97	KMT
B	REVISED DIM TOL	02/11/98	KMT
C	REVISED TOLERANCES	06/30/98	KEN S
D	REVISED -1,-2,-3	02/09/00	GFW
E	Ø16.180±.025 WAS Ø16.000	11/02/11	KMT
F	UPDATED DRAWING FORMAT	08/25/17	RRS



Ⓔ

DASH NO.	CA	V	OD	T	D1	D2	H	h	R°	F°	C°	f#
E710	15.792	2.750	16.180	0.050	7.777	6.201	10.062	10.010	57.80	44.57	102.37	1.37
E710-0100	15.792	3.000	16.180	0.050	7.777	6.201	10.022	9.969	55.01	44.57	99.57	1.37
E710-0200	15.792	3.500	16.180	0.050	7.777	6.201	9.930	9.876	49.51	44.57	94.07	1.37
E710-0300	15.792	2.750	16.180	0.050	7.777	6.201	10.062	10.010	57.80	44.57	102.37	1.37

NOTE: THE "E710" DASH NO. IS THE THEORETICALLY LARGEST REFLECTOR THAT CAN BE FORMED FROM EXISTING MASTER TOOLING.

UNLESS OTHERWISE SPECIFIED DIMENSIONS ARE IN INCHES (mm) GD&T PER ASME Y14.5-2009 DO NOT SCALE DRAWING		CONTRACT NO. 00-E710		42310 WINCHESTER RD. TEMECULA, CA 92590 WWW.OPTIFORMS.COM	
FRACTIONS ± 1/16	DECIMALS .XXX ± .005	ANGLES ± 1/2°	DRAWN JIW	DATE 08/25/17	
TOLERANCES			CHECKED	DATE	
SURFACE ROUGHNESS √			ENGR RRS	DATE 08/25/17	<b>REFLECTOR, ELLIPTICAL</b> 27.96"Ø/710mm (F1-F2)
DEBURR SHARP EDGES & HOLES (R) .015 MAX CHAMFER THREADS .01 PAST ROOT DIAMETER			MATERIAL	DATE	
NEXT ASSY	USED ON	THIRD ANGLE PROJECTION	ELECTROFORMED NICKEL - LSSN TYPE 1	SCALE 1:4	SIZE C CAGE CODE OY1Y4 WT (REF) 6.910 LBS. DWG NO. E710 SHEET 1 OF 1