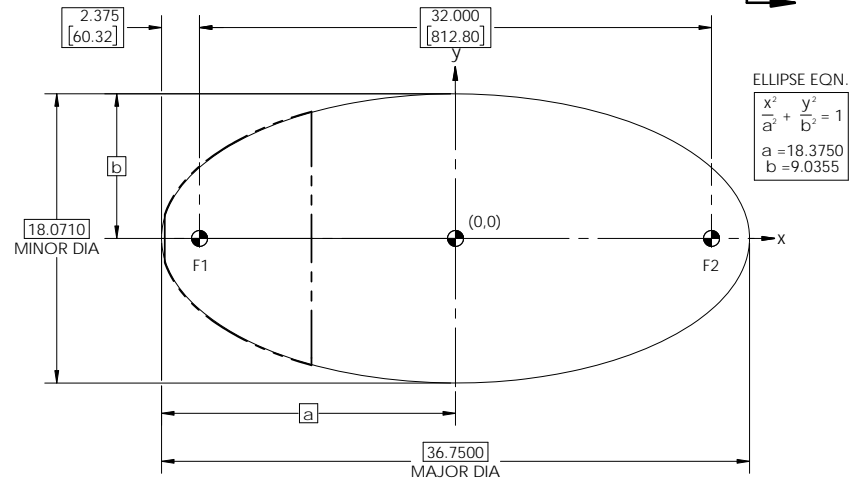
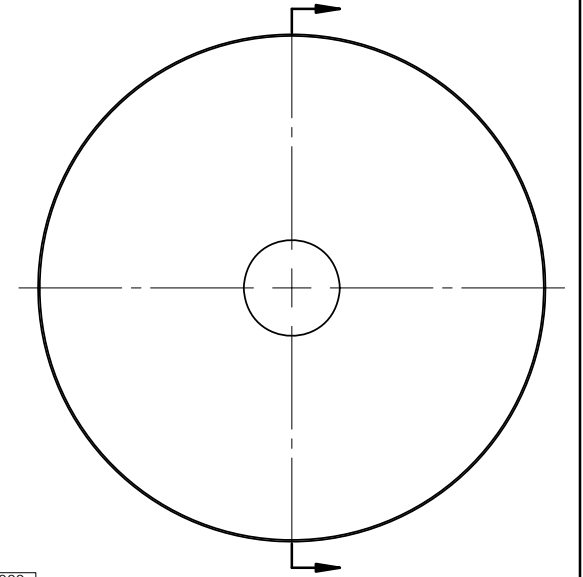
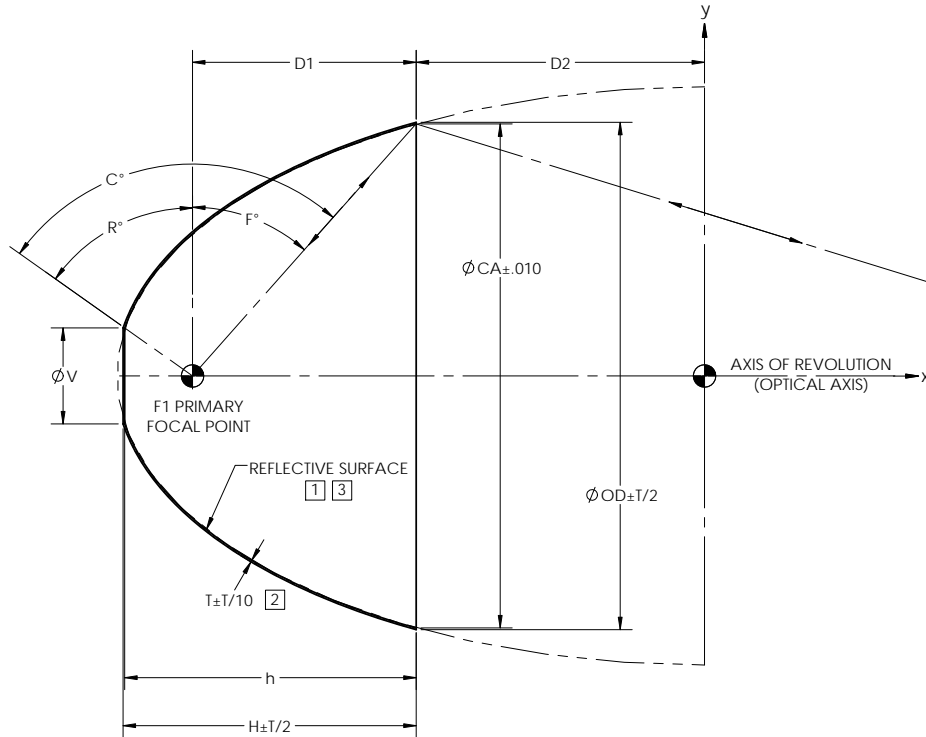


NOTES: UNLESS OTHERWISE SPECIFIED

- 1 ELECTROFORM REFLECTOR FROM MASTER TOOL WITH SPECULAR SURFACE QUALITY OF 80-50 SCRATCH-DIG PER MIL-PRF-13830B.
- 2 NOMINAL THICKNESS (T) MAY VARY ± T/4 WITHIN .25 OF EDGES.
- 3 REFLECTIVE SURFACE COATING TO BE SEPARATELY SPECIFIED.

REVISIONS			
REV	DESCRIPTION	DATE	APPROVED
Ø	INITIAL DRAWING RELEASE	05/31/96	GFW
A	ADDED -5	02/11/98	KMT
B	ADDED -6	06/30/98	KEN S
C	ADDED -7	08/06/99	GFW
D	ADDED -8	07/31/07	SJM
E	ADDED -9	08/19/10	SJM
F	ADDED -10	11/04/13	RRS
G	UPDATED DRAWING FORMAT	08/22/17	RRS



DASH NO.	CA	V	OD	T	D1	D2	H	h	R°	F°	C°	f#
E813	15.750	3.000	15.854	0.050	6.991	9.009	9.164	9.111	54.72	41.60	96.32	1.72
E813-0100	15.500	3.400	15.604	0.050	6.553	9.447	8.654	8.600	50.29	40.22	90.51	1.72
E813-0200	14.000	3.400	14.108	0.050	4.381	11.619	6.482	6.428	50.29	32.04	82.33	2.04
E813-0300	14.500	3.000	14.606	0.050	5.034	10.966	7.207	7.154	54.72	34.77	89.49	1.93
E813-0400	15.500	5.000	15.604	0.050	6.553	9.447	8.269	8.211	33.55	40.22	73.76	1.72
E813-0500	14.500	3.400	14.606	0.050	5.034	10.966	7.134	7.081	50.29	34.77	85.06	1.93
E813-0600	14.000	3.550	14.108	0.050	4.381	11.619	6.452	6.398	48.65	32.04	80.69	2.04
E813-0700	15.500	3.000	15.604	0.050	6.553	9.447	8.726	8.673	54.72	40.22	94.94	1.72
E813-0800	15.750	4.500	15.854	0.050	6.991	9.009	8.844	8.787	38.60	41.60	80.20	1.66
E813-0900	15.500	4.500	15.604	0.050	6.553	9.447	8.406	8.350	38.60	40.22	78.82	1.72
E813-1000	13.000	4.000	13.111	0.050	3.237	12.763	5.211	5.156	43.82	26.47	70.29	2.27

NOTE: THE "E813" DASH NO. IS THE THEORETICALLY LARGEST REFLECTOR THAT CAN BE FORMED ON EXISTING MASTER TOOLING.

UNLESS OTHERWISE SPECIFIED DIMENSIONS ARE IN INCHES (mm) GD&T PER ASME Y14.5-2009 DO NOT SCALE DRAWING		CONTRACT NO. 00-E813		optiforms® 42310 WINCHESTER RD. TEMECULA, CA 92590 WWW.OPTIFORMS.COM	
FRACTIONS ± 1/16	DECIMALS ± .02	ANGLES ± 1/2°	DRAWN JIW	DATE 08/22/17	REFLECTOR, ELLIPTICAL 32.00"/813mm (F1-F2)
TOLERANCES ± .005	ENGR RRS	DATE 08/22/17	CHECKED	DATE	
SURFACE ROUGHNESS √ DEBURR SHARP EDGES & HOLES (RMS) .015 MAX CHAMFER THREADS .01 PAST ROOT DIAMETER		MATERIAL ELECTROFORMED NICKEL - LSSN TYPE 1		SCALE C	
THIRD ANGLE PROJECTION		FINISH		CAGE CODE 0Y1Y4	
APPLICATION		SEE NOTE 3		DWG. NO. E813	
				REV G	
				SHEET 1 OF 1	