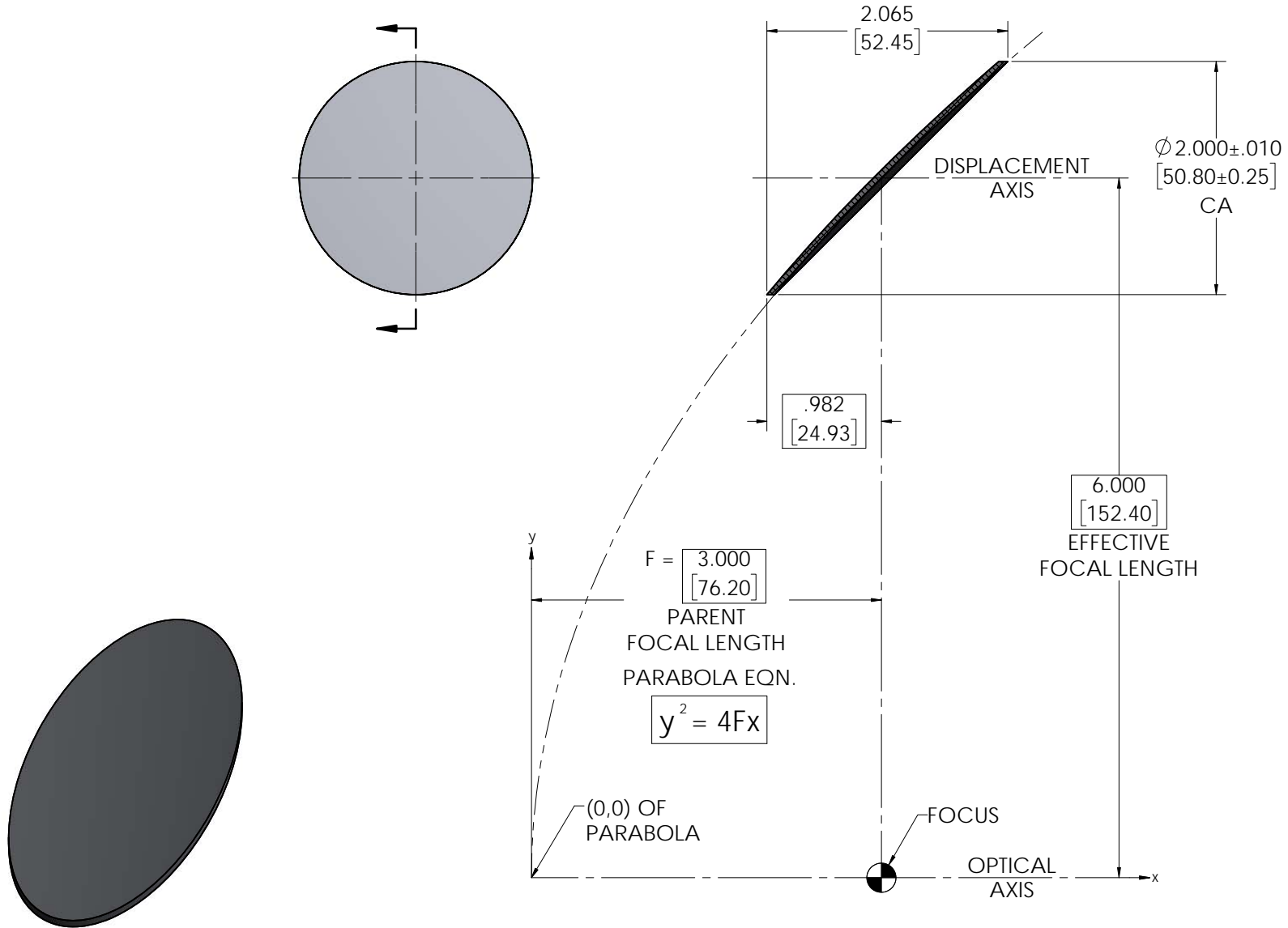


INFORMATION IN THIS DRAWING IS FOR REFERENCE ONLY

| REVISIONS | | | |
|-----------|-------------------------|----------|----------|
| REV | DESCRIPTION | DATE | APPROVED |
| Ø | INITIAL DRAWING RELEASE | 11/29/17 | JPH |

NOTES: UNLESS OTHERWISE SPECIFIED

- REFLECTOR SURFACE QUALITY: ELECTROFORM REFLECTOR FROM MASTER TOOL WITH SPECULAR SURFACE FINISH OF 80-50 SCRATCH-DIG PER MIL-O-13830A.
- REFLECTOR: ELECTROFORMED - NICKEL LSSN TYPE 1.



| | | | | | |
|---|------------------------------------|---------------|---|---------------|---|
| UNLESS OTHERWISE SPECIFIED DIMENSIONS ARE IN INCHES [mm] GD&T PER ASME Y14.5-2009 DO NOT SCALE DRAWING | | | CONTRACT NO. 07-OAP76 | | 42310 WINCHESTER RD. TEMECULA, CA 92590 WWW.OPTIFORMS.COM |
| TOLERANCES | | | DRAWN JPH | DATE 11/29/17 | |
| FRACTIONS ± 1/16 | DECIMALS .XXX ± .02 .XXX ± .005 | ANGLES ± 1/2° | CHECKED RRS | DATE 11/29/17 | OFF-AXIS ASSY, PARABOLIC OAP76 SEGMENT |
| SURFACE ROUGHNESS √ | | | MATERIAL ELECTROFORMED NICKEL - LSSN TYPE 1 | | |
| DEBURR SHARP EDGES & HOLES (RMS) .015 MAX. CHAMFER THREADS .01 PAST ROOT DIAMETER | | | FINISH N/A | | SIZE C CAGE CODE 0Y1Y4 DWG. NO. OAP76-0000-XXXX REV Ø |
| THIRD ANGLE PROJECTION | | | SCALE 3:2 | WT (REF) | CAD NO. OAP76-0000 |