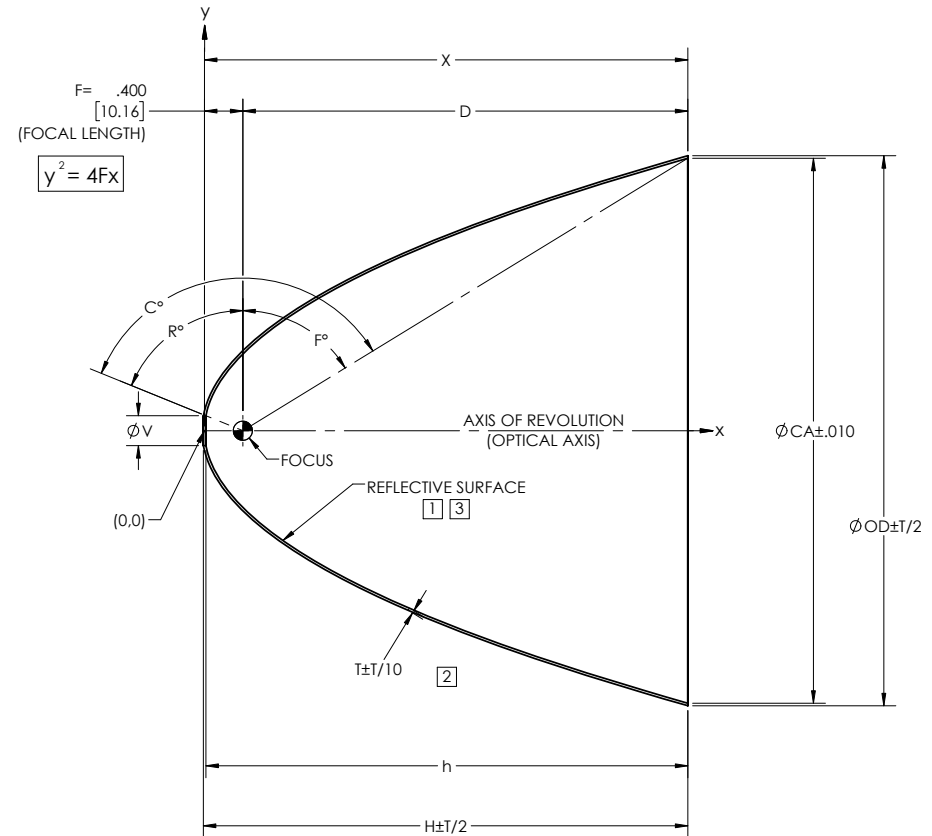


NOTES: UNLESS OTHERWISE SPECIFIED

- 1 ELECTROFORM REFLECTOR FROM MASTER TOOL WITH SPECULAR SURFACE QUALITY OF 80-50 SCRATCH-DIG PER MIL-PRF-13830B.
- 2 NOMINAL THICKNESS (T) MAY VARY ± T/4 WITHIN .25 OF EDGES.
- 3 REFLECTIVE SURFACE COATING TO BE SEPARATELY SPECIFIED.

REVISIONS			
REV	DESCRIPTION	DATE	APPROVED
Ø	INITIAL DRAWING RELEASE	06/06/96	GFW
A	ADDED -8	08/26/97	KMT
B	REV DIM TOLERANCES	02/10/98	KMT
C	REV DIM TOLERANCES	07/31/98	GFW
D	ADDED -9	07/30/99	GFW
E	ADDED -10	11/26/01	GFW
F	ADDED -11	01/22/03	GFW
G	ADDED -12	07/14/04	MM
H	ADDED -13	11/05/06	KMT
J	ADDED -14	03/26/08	SJM
K	ADDED -15	08/25/08	MAS
L	ADDED -16,-17,-18	08/18/09	BTB
M	ADDED -19	11/10/09	BTB
N	ADDED -20	08/21/12	RRS
P	UPDATED DRAWING FORMAT	07/27/17	JPH
R	ADDED -21	03/05/19	JPH

DASH NO.	CA	V	OD	T	X	D	H	h	R°	F°	C°
P10	5.677	0.312	5.729	0.025	5.036	4.636	5.046	5.020	67.93	58.52	126.45
P10-01	3.500	0.875	3.555	0.025	1.914	1.514	1.823	1.794	32.65	40.87	73.52
P10-02	4.900	0.625	4.953	0.025	3.752	3.352	3.717	3.691	47.33	53.83	101.16
P10-03	4.900	0.875	4.953	0.025	3.752	3.352	3.660	3.632	32.65	53.83	86.49
P10-04	5.677	1.000	5.729	0.025	5.036	4.636	4.909	4.879	25.99	58.52	84.51
P10-05	3.960	0.360	4.014	0.025	2.450	2.050	2.456	2.430	64.64	46.00	110.64
P10-06	3.960	0.406	4.014	0.025	2.450	2.050	2.450	2.424	61.52	46.00	107.52
P10-07	5.677	1.500	5.729	0.025	5.036	4.636	4.718	4.684	3.70	58.52	62.22
P10-08	3.465	0.630	3.520	0.025	1.876	1.476	1.841	1.814	47.02	40.43	87.44
P10-09	4.747	0.625	4.800	0.025	3.521	3.121	3.487	3.460	47.33	52.75	100.07
P10-10	3.500	0.669	3.555	0.025	1.914	1.514	1.871	1.844	44.62	40.87	85.48
P10-11	2.950	0.625	3.007	0.025	1.360	0.960	1.326	1.299	47.33	33.05	80.38
P10-12	1.906	0.512	1.971	0.025	0.568	0.168	0.553	0.527	54.51	9.98	64.49
P10-13	7.870	0.500	7.921	0.040	9.678	9.278	9.680	9.639	55.29	67.02	122.31
P10-14	1.840	0.512	1.906	0.025	0.529	0.129	0.514	0.488	54.51	7.98	62.49
P10-15	3.960	0.312	4.014	0.025	2.450	2.050	2.460	2.435	67.93	46.00	113.93
P10-16	4.850	2.500	4.903	0.025	3.675	3.275	2.745	2.699	335.24	53.48	28.72
P10-17	4.000	3.000	4.054	0.025	2.500	2.100	1.147	1.094	326.14	46.40	12.54
P10-18	5.090	2.500	5.142	0.025	4.048	3.648	3.118	3.072	335.24	55.10	30.34
P10-19	4.720	0.470	4.773	0.030	3.481	3.081	3.478	3.446	57.26	52.55	109.81
P10-20	3.098	0.625	3.154	0.018	1.500	1.100	1.458	1.439	47.33	35.37	82.70
P10-21	5.677	3.609	5.729	0.025	5.036	4.636	3.062	3.000	42.18	58.52	16.34



NOTE: THE "P10" DASH NO. IS THE THEORETICALLY LARGEST REFLECTOR THAT CAN BE FORMED FROM EXISTING MASTER TOOLING.

UNLESS OTHERWISE SPECIFIED DIMENSIONS ARE IN INCHES [mm] GD&T PER ASME Y14.5-2009 DO NOT SCALE DRAWING TOLERANCES FRACTIONS ± 1/16 DECIMALS ± .02 ANGLES ± 1/2° SURFACE ROUGHNESS √ 32 DEBURR SHARP EDGES & HOLES RING: 0.15 MAX. CHAMFER THREADS Ø1 PAST ROOT DIAMETER		CONTRACT NO. 00-P10 DRAWN JIW DATE 07/27/17 CHECKED DATE ENGR RRS DATE 07/27/17 MATERIAL ELECTROFORMED NICKEL - LSSN TYPE 1 FINISH	42310 WINCHESTER RD. TEMECULA, CA 92590 WWW.OPTIFORMS.COM
NEXT ASSY USED ON APPLICATION		SCALE 1:1 WT. (REF) CAD NO. P10 SEE NOTES 1.3	REFLECTOR, PARABOLIC .400"/10mm FL SIZE C CAGE CODE 0Y1Y4 DWG. NO. P10-R REV R