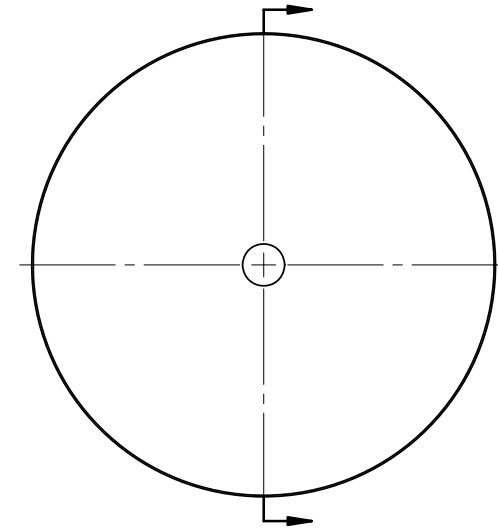
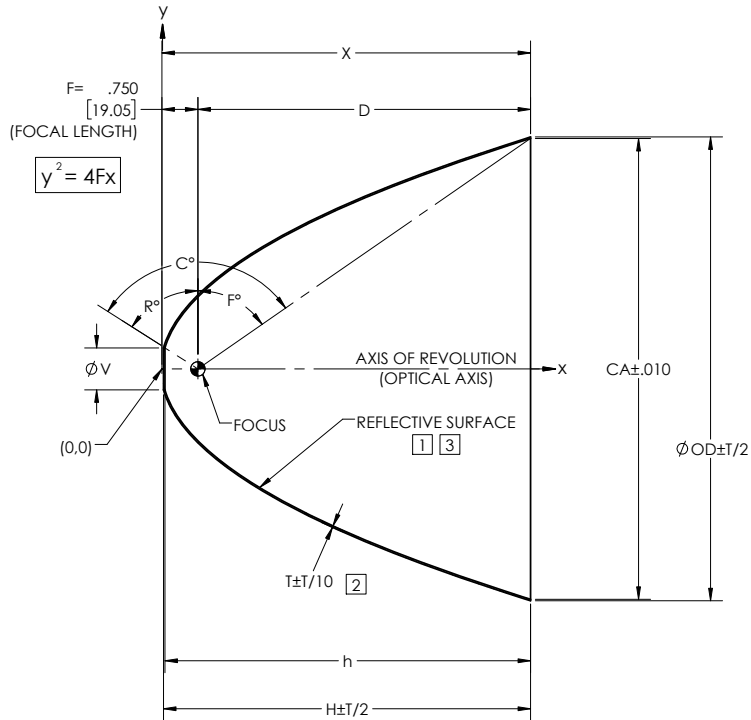


NOTES: UNLESS OTHERWISE SPECIFIED

- 1 ELECTROFORM REFLECTOR FROM MASTER TOOL WITH SPECULAR SURFACE QUALITY OF 80-50 SCRATCH-DIG PER MIL-PRF-13830B.
- 2 NOMINAL THICKNESS (T) MAY VARY ± T/4 WITHIN .25 OF EDGES.
- 3 REFLECTIVE SURFACE COATING TO BE SEPARATELY SPECIFIED.

REVISIONS			
REV	DESCRIPTION	DATE	APPROVED
Ø	INITIAL DRAWING RELEASE	06/06/96	GFW
A	REV DIM TOLERANCES	02/10/98	KMT
B	REV DIM TOLERANCES AND NOTES.	07/01/98	GFW
C	CORRECTED GEOMETRY DATA	03/10/00	GFW
D	ADDED -8 TO CHART	06/14/05	KMT
E	ADDED -9 TO CHART	11/07/12	RRS
F	UPDATED DRAWING FORMAT	07/25/17	JPH



DASH NO.	CA	V	OD	T	X	D	H	h	R°	F°	C°
P19	9.600	0.875	9.663	0.030	7.680	6.930	7.647	7.616	57.48	55.29	112.77
P19-0100	6.000	0.875	6.067	0.030	3.000	2.250	2.967	2.936	57.48	36.87	94.35
P19-0200	8.000	1.250	8.064	0.030	5.333	4.583	5.236	5.203	44.76	48.89	93.65
P19-0300	9.600	1.750	9.663	0.030	7.680	6.930	7.459	7.425	29.49	55.29	84.78
P19-0400	6.750	0.875	6.816	0.030	3.797	3.047	3.764	3.733	57.48	42.08	99.55
P19-0500	8.000	1.750	8.064	0.030	5.333	4.583	5.113	5.078	29.49	48.89	78.38
P19-0600	6.000	1.560	6.067	0.030	3.000	2.250	2.831	2.797	35.05	36.87	71.92
P19-0700	4.842	0.875	4.913	0.030	1.954	1.204	1.921	1.890	57.48	26.44	83.92
P19-0800	7.200	1.300	7.265	0.030	4.320	3.570	4.212	4.179	43.14	44.76	87.90
P19-0900	6.000	2.125	6.067	0.030	3.000	2.250	2.660	2.624	19.38	36.87	56.25
P19-1000	4.842	0.886	4.913	0.030	1.954	1.204	1.920	1.888	57.09	26.44	83.53

NOTE: THE "P19" DASH NO. IS THE THEORETICALLY LARGEST REFLECTOR THAT CAN BE FORMED ON EXISTING MASTER TOOLING.

UNLESS OTHERWISE SPECIFIED DIMENSIONS ARE IN INCHES (mm) GD&T PER ASME Y14.5-2009 DO NOT SCALE DRAWING		CONTRACT NO. 00-P19		42310 WINCHESTER RD. TEMECULA, CA 92590 WWW.OPTIFORMS.COM	
FRACTIONS ± 1/16 DECIMALS ± .02 ANGLES ± 1/2° .001 ± .005		DRAWN JIW DATE 07/25/17	optiforms		
TOLERANCES		CHECKED DATE	REFLECTOR, PARABOLIC		
SURFACE ROUGHNESS √		ENGR RRS DATE 07/25/17	.750" / 19mm FL		
DEBURR SHARP EDGES & HOLE RIMS .015 MAX. CHAMFER THREADS .01 PAST ROOT DIAMETER		MATERIAL	ELECTROFORMED NICKEL - LSSN TYPE 1		
FINISH		SCALE 1:2	SIZE C	CAGE CODE OY1Y4	DWG. NO. P19
NEXT ASSY USED ON APPLICATION		THIRD ANGLE PROJECTION	WT. (REF)	CAD NO. P19	REV F
		SEE NOTES 1,3	SHEET 1 OF 1		